

DM7490A Decade and Binary Counter

General Description

The DM7490A monolithic counter contains four master-slave flip-flops and additional gating to provide a divide-by-two counter and a three-stage binary counter for which the count cycle length is divide-by-five.

The counter has a gated zero reset and also has gated set-to-nine inputs for use in BCD nine's complement applications.

To use the maximum count length (decade or four-bit binary), the B input is connected to the Q_A output. The input count pulses are applied to input A and the outputs are as described in the appropriate Function Table. A symmetrical divide-by-ten count can be obtained from the counters by connecting the Q_D output to the A input and applying the input count to the B input which gives a divide-by-ten square wave at output Q_A .

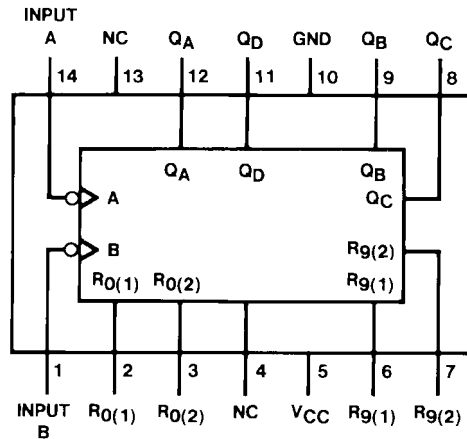
Features

- Typical power dissipation 145 mW
- Count frequency 42 MHz

Ordering Code:

| Order Number | Package Number | Package Description |
|--------------|----------------|------------------------------------------------------------------------|
| DM7490AN | N14A | 14-Lead Plastic Dual-In-Line Package (PDIP), JEDEC MS-001, 0.300" Wide |

Connection Diagram



Function Tables

BCD Count Sequence (Note 1)

| Count | Outputs | | | |
|-------|----------------|----------------|----------------|----------------|
| | Q _D | Q _C | Q _B | Q _A |
| 0 | L | L | L | L |
| 1 | L | L | L | H |
| 2 | L | L | H | L |
| 3 | L | L | H | H |
| 4 | L | H | L | L |
| 5 | L | H | L | H |
| 6 | L | H | H | L |
| 7 | L | H | H | H |
| 8 | H | L | L | L |
| 9 | H | L | L | H |

BCD Bi-Quinary (5-2) (Note 2)

| Count | Outputs | | | |
|-------|----------------|----------------|----------------|----------------|
| | Q _A | Q _D | Q _C | Q _B |
| 0 | L | L | L | L |
| 1 | L | L | L | H |
| 2 | L | L | H | L |
| 3 | L | L | H | H |
| 4 | L | H | L | L |
| 5 | H | L | L | L |
| 6 | H | L | L | H |
| 7 | H | L | H | L |
| 8 | H | L | H | H |
| 9 | H | H | L | L |

Reset/Count Function Table

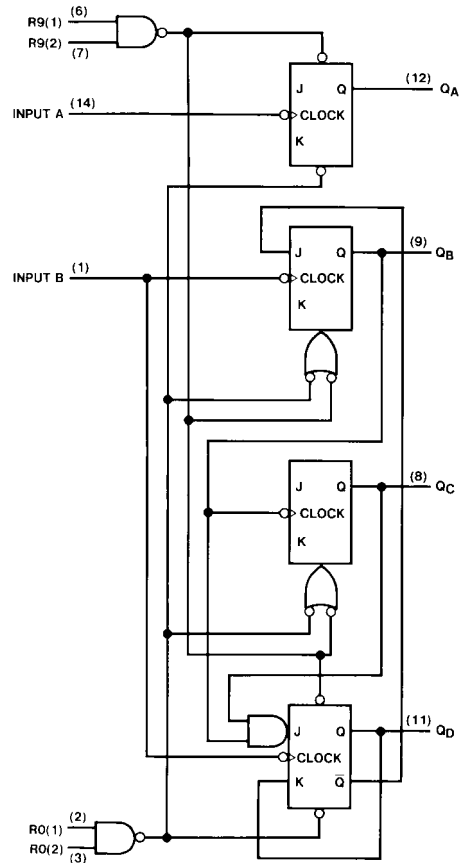
| Reset Inputs | | | | Outputs | | | |
|--------------|-------|-------|-------|----------------|----------------|----------------|----------------|
| R0(1) | R0(2) | R9(1) | R9(2) | Q _D | Q _C | Q _B | Q _A |
| H | H | L | X | L | L | L | L |
| H | H | X | L | L | L | L | L |
| X | X | H | H | H | L | L | H |
| X | L | X | L | COUNT | | | |
| L | X | L | X | COUNT | | | |
| L | X | X | L | COUNT | | | |
| X | L | L | X | COUNT | | | |

H = HIGH Level
L = LOW Level
X = Don't Care

Note 1: Output QA is connected to input B for BCD count.

Note 2: Output QD is connected to input A for bi-quinary count.

Logic Diagram



The J and K inputs shown without connection are for reference only and are functionally at a HIGH level.

Absolute Maximum Ratings(Note 3)

| | |
|--------------------------------------|-----------------|
| Supply Voltage | 7V |
| Input Voltage | 5.5V |
| Operating Free Air Temperature Range | 0°C to +70°C |
| Storage Temperature Range | -65°C to +150°C |

Note 3: The "Absolute Maximum Ratings" are those values beyond which the safety of the device cannot be guaranteed. The device should not be operated at these limits. The parametric values defined in the Electrical Characteristics tables are not guaranteed at the absolute maximum ratings. The "Recommended Operating Conditions" table will define the conditions for actual device operation.

Recommended Operating Conditions

| Symbol | Parameter | Min | Nom | Max | Units |
|-----------|--------------------------------|-------|-----|------|-------|
| V_{CC} | Supply Voltage | 4.75 | 5 | 5.25 | V |
| V_{IH} | HIGH Level Input Voltage | 2 | | | V |
| V_{IL} | LOW Level Input Voltage | | | 0.8 | V |
| I_{OH} | HIGH Level Output Current | | | -0.8 | mA |
| I_{OL} | LOW Level Output Current | | | 16 | mA |
| f_{CLK} | Clock Frequency (Note 4) | A | 0 | 32 | MHz |
| | | B | 0 | 16 | |
| t_W | Pulse Width (Note 4) | A | 15 | | ns |
| | | B | 30 | | |
| | | Reset | 15 | | |
| t_{REL} | Reset Release Time (Note 4) | 25 | | | ns |
| T_A | Free Air Operating Temperature | 0 | | 70 | °C |

Note 4: $T_A = 25^\circ\text{C}$ and $V_{CC} = 5\text{V}$.

DC Electrical Characteristics

over recommended operating free air temperature range (unless otherwise noted)

| Symbol | Parameter | Conditions | Min | Typ (Note 5) | Max | Units |
|----------|-----------------------------------|---------------------------------------------------------------------------------------------------------|-------|-----------------|------|---------------|
| V_I | Input Clamp Voltage | $V_{CC} = \text{Min}$, $I_I = -12 \text{ mA}$ | | | -1.5 | V |
| V_{OH} | HIGH Level Output Voltage | $V_{CC} = \text{Min}$, $I_{OH} = \text{Max}$ $V_{IL} = \text{Max}$, $V_{IH} = \text{Min}$ | 2.4 | 3.4 | | V |
| V_{OL} | LOW Level Output Voltage | $V_{CC} = \text{Min}$, $I_{OL} = \text{Max}$ $V_{IH} = \text{Min}$, $V_{IL} = \text{Max}$ (Note 6) | | 0.2 | 0.4 | V |
| I_I | Input Current @ Max Input Voltage | $V_{CC} = \text{Max}$, $V_I = 5.5\text{V}$ | | | 1 | mA |
| I_{IH} | HIGH Level Input Current | $V_{CC} = \text{Max}$ $V_I = 2.7\text{V}$ | A | | 80 | μA |
| | | | Reset | | 40 | |
| | | | B | | 120 | |
| I_{IL} | LOW Level Input Current | $V_{CC} = \text{Max}$ $V_I = 0.4\text{V}$ | A | | -3.2 | mA |
| | | | Reset | | -1.6 | |
| | | | B | | -4.8 | |
| I_{OS} | Short Circuit Output Current | $V_{CC} = \text{Max}$ (Note 7) | -18 | | -57 | mA |
| I_{CC} | Supply Current | $V_{CC} = \text{Max}$ (Note 8) | | 29 | 42 | mA |

Note 5: All typicals are at $V_{CC} = 5\text{V}$, $T_A = 25^\circ\text{C}$.

Note 6: Q_A outputs are tested at $I_{OL} = \text{Max}$ plus the limit value of I_{IL} for the B input. This permits driving the B input while maintaining full fan-out capability.

Note 7: Not more than one output should be shorted at a time.

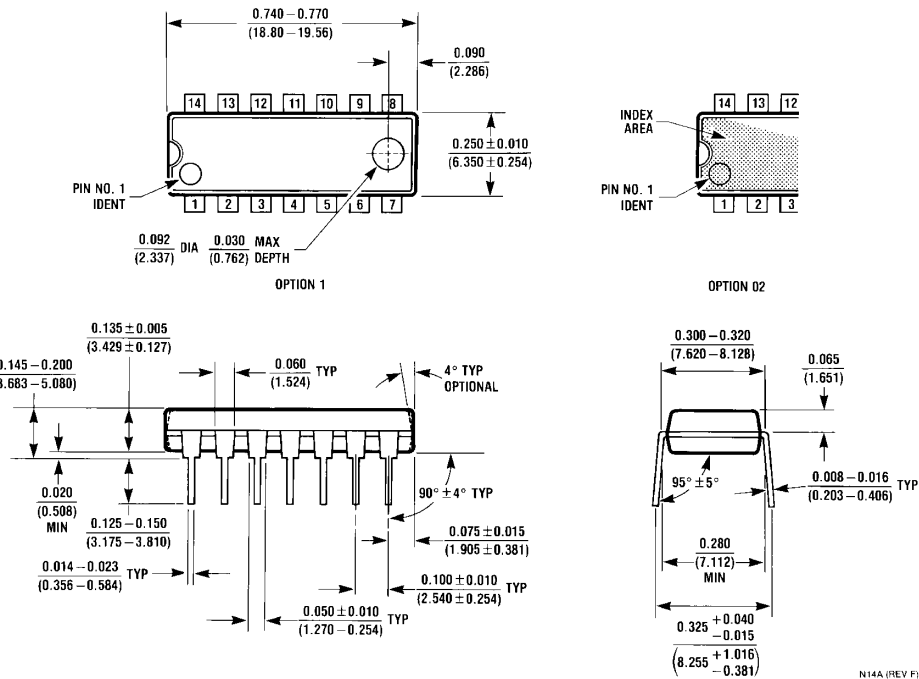
Note 8: I_{CC} is measured with all outputs open, both RO inputs grounded following momentary connection to 4.5V, and all other inputs grounded.

AC Switching Characteristics

at $V_{CC} = 5V$ and $T_A = 25^\circ C$

| Symbol | Parameter | From (Input) To (Output) | $R_L = 400\Omega, C_L = 15\text{ pF}$ | | Units |
|-----------|----------------------------------------------------|-----------------------------|---------------------------------------|-----|-------|
| | | | Min | Max | |
| f_{MAX} | Maximum Clock Frequency | A to Q_A | 32 | | MHz |
| | | B to Q_B | 16 | | |
| t_{PLH} | Propagation Delay Time LOW-to-HIGH Level Output | A to Q_A | | 16 | ns |
| t_{PHL} | Propagation Delay Time HIGH-to-LOW Level Output | A to Q_A | | 18 | ns |
| t_{PLH} | Propagation Delay Time LOW-to-HIGH Level Output | A to Q_D | | 48 | ns |
| t_{PHL} | Propagation Delay Time HIGH-to-LOW Level Output | A to Q_D | | 50 | ns |
| t_{PLH} | Propagation Delay Time LOW-to-HIGH Level Output | B to Q_B | | 16 | ns |
| t_{PHL} | Propagation Delay Time HIGH-to-LOW Level Output | B to Q_B | | 21 | ns |
| t_{PLH} | Propagation Delay Time LOW-to-HIGH Level Output | B to Q_C | | 32 | ns |
| t_{PHL} | Propagation Delay Time HIGH-to-LOW Level Output | B to Q_C | | 35 | ns |
| t_{PLH} | Propagation Delay Time LOW-to-HIGH Level Output | B to Q_D | | 32 | ns |
| t_{PHL} | Propagation Delay Time HIGH-to-LOW Level Output | B to Q_D | | 35 | ns |
| t_{PLH} | Propagation Delay Time LOW-to-HIGH Level Output | SET-9 to Q_A, Q_D | | 30 | ns |
| t_{PHL} | Propagation Delay Time HIGH-to-LOW Level Output | SET-9 to Q_B, Q_C | | 40 | ns |
| t_{PHL} | Propagation Delay Time HIGH-to-LOW Level Output | SET-0 Any Q | | 40 | ns |

Physical Dimensions inches (millimeters) unless otherwise noted



14-Lead Plastic Dual-In-Line Package (PDIP), JEDEC MS-001, 0.300" Wide Package Number N14A

Fairchild does not assume any responsibility for use of any circuitry described, no circuit patent licenses are implied and Fairchild reserves the right at any time without notice to change said circuitry and specifications.

LIFE SUPPORT POLICY

FAIRCHILD'S PRODUCTS ARE NOT AUTHORIZED FOR USE AS CRITICAL COMPONENTS IN LIFE SUPPORT DEVICES OR SYSTEMS WITHOUT THE EXPRESS WRITTEN APPROVAL OF THE PRESIDENT OF FAIRCHILD SEMICONDUCTOR CORPORATION. As used herein:

1. Life support devices or systems are devices or systems which, (a) are intended for surgical implant into the body, or (b) support or sustain life, and (c) whose failure to perform when properly used in accordance with instructions for use provided in the labeling, can be reasonably expected to result in a significant injury to the user.
2. A critical component in any component of a life support device or system whose failure to perform can be reasonably expected to cause the failure of the life support device or system, or to affect its safety or effectiveness.

www.fairchildsemi.com